

Installation instructions for PZ4AL-03640-00
Under Run Protective Shield Transmission Case

LEXUS GX



TOYOTA LC



Model Year: GX 460 - 2009 - 2013 -

LC 150 Diesel -
2009 - 2013 - 2015 -

LC 150 Petrol - 2009 - 2017

Vehicle Code URJ150L-GKTZKW

KDJ150L-GKAEYW

GRJ150L-GKAEKW

Part Number

PZ4AL-03640-00



Weight

5,91 kg

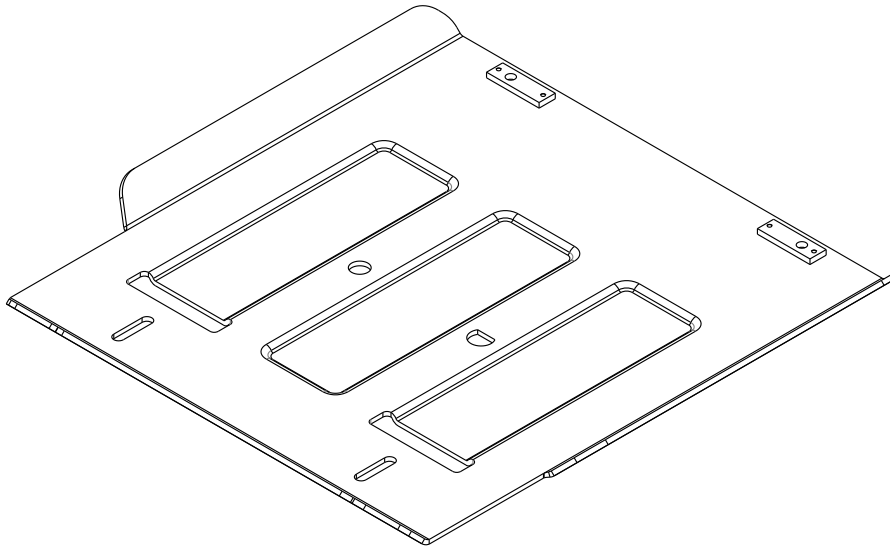


Installation Time

10 min

PZ4AL-03640-00

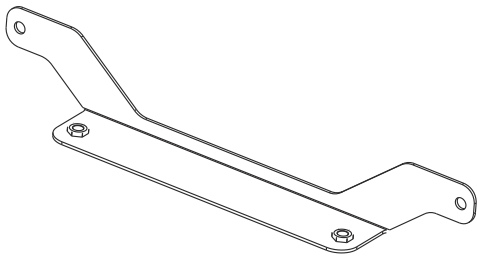
A



1x

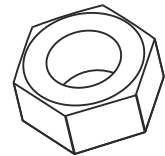
PZ4AL-01696-60

B



1x

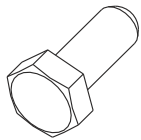
C



M10

2x

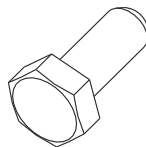
D1



M10x30

4x

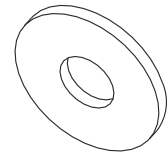
D2



M10x110

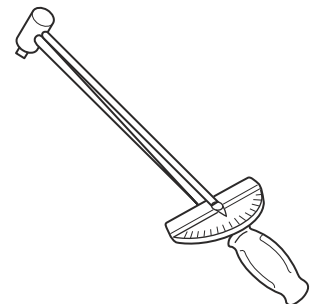
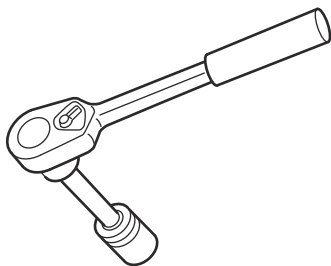
2x

E

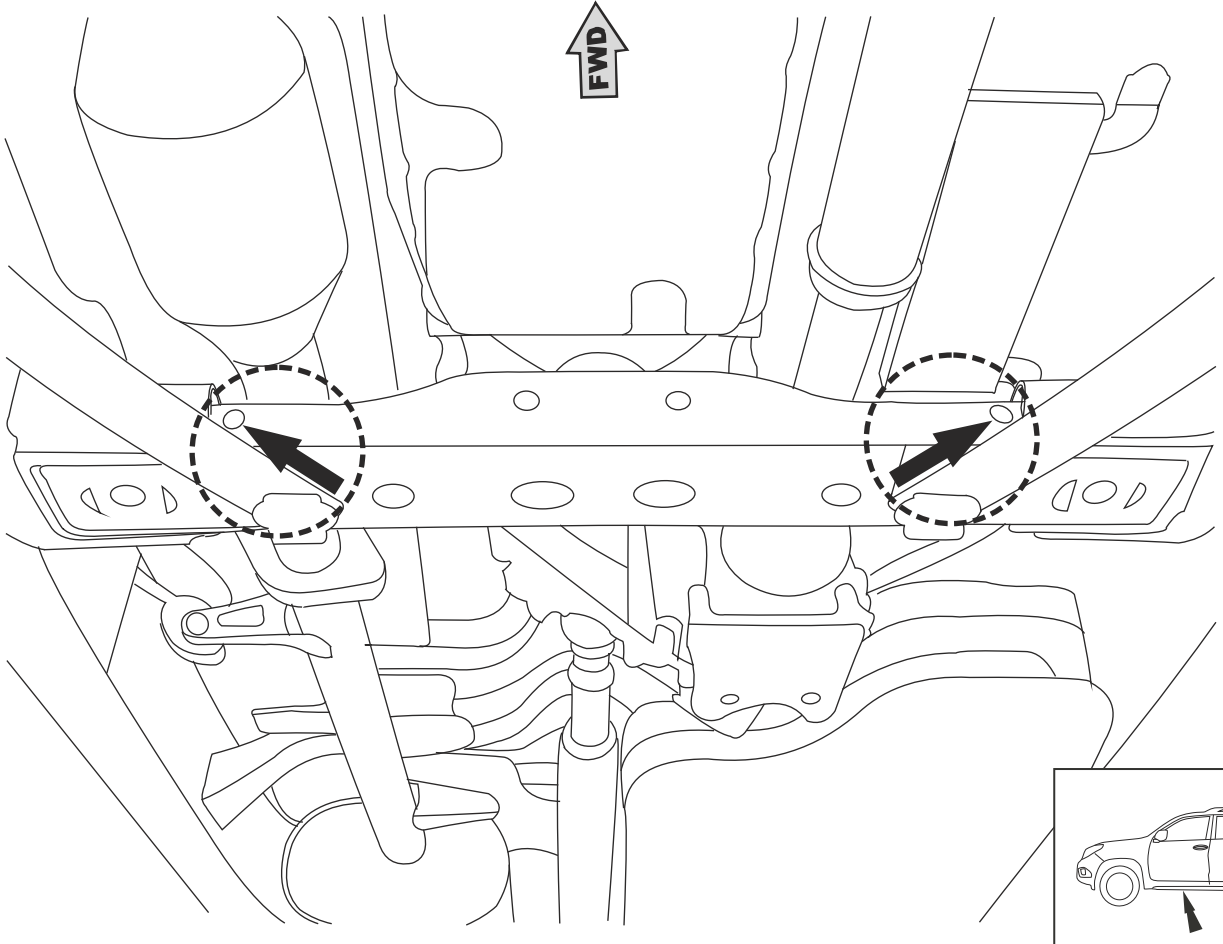


Ø10

8x



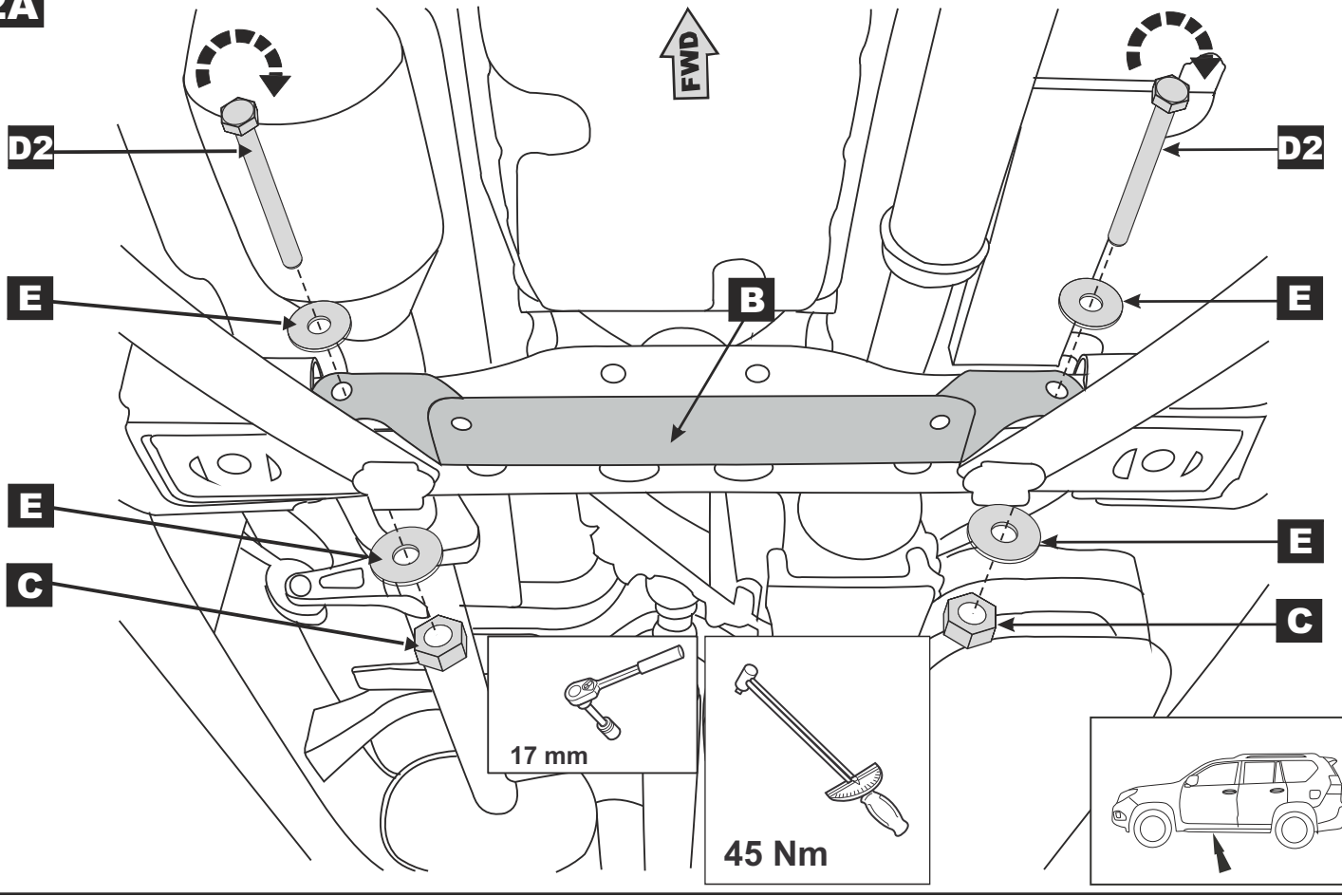
1



2A

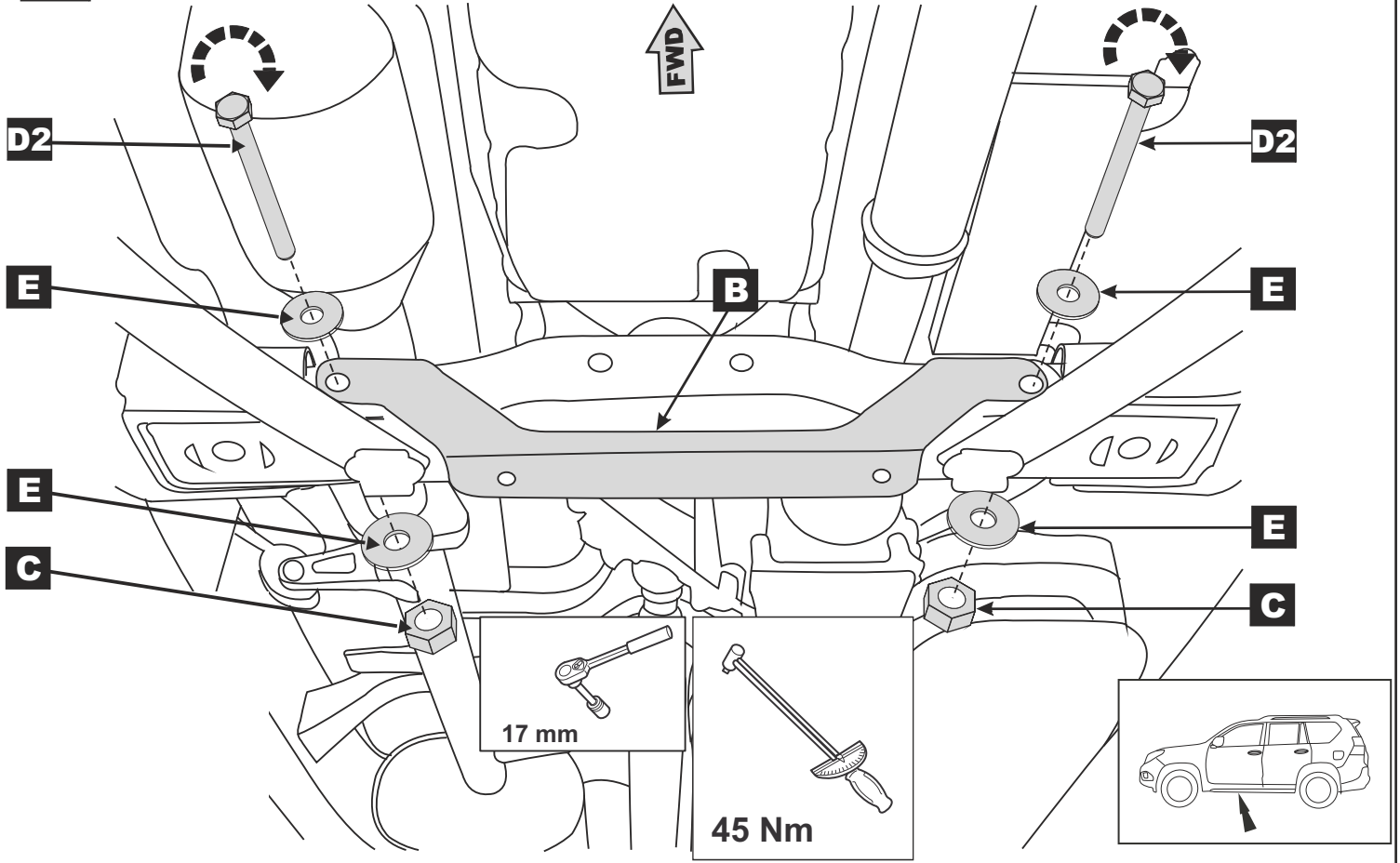
LEXUS GX 460

Toyota Land Cruiser 150 Diesel

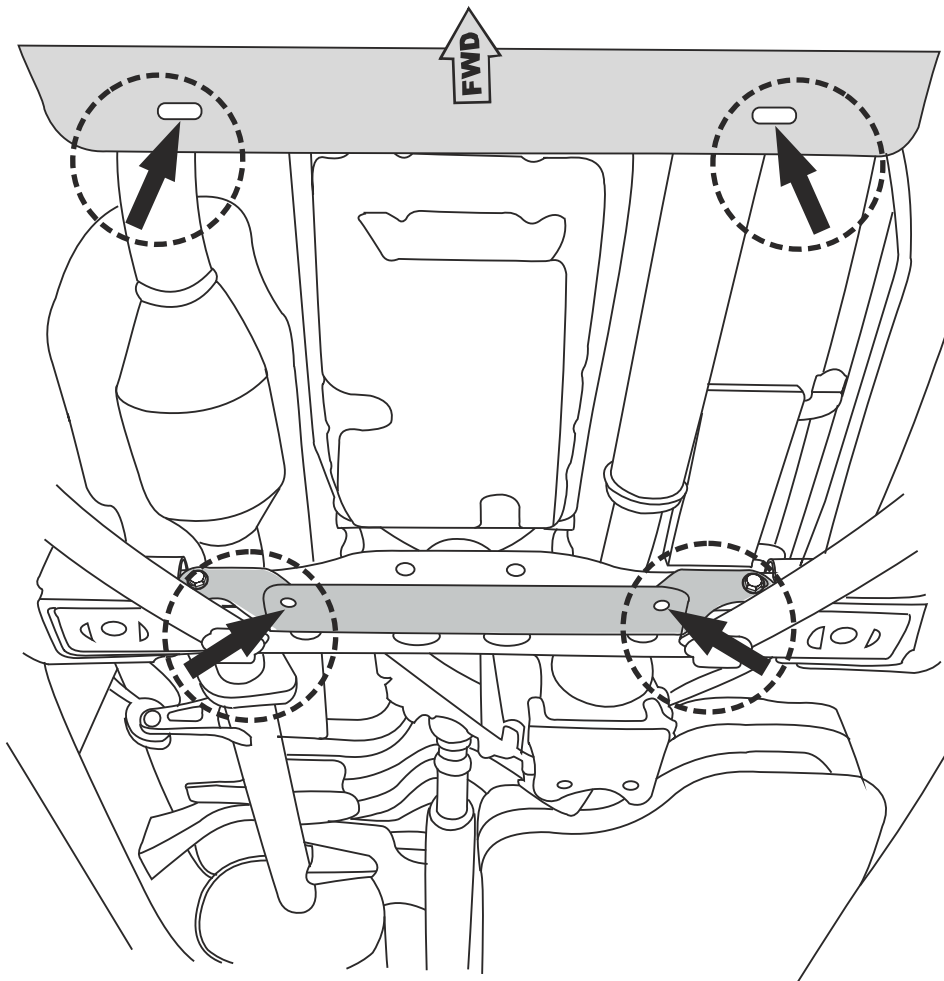


2B

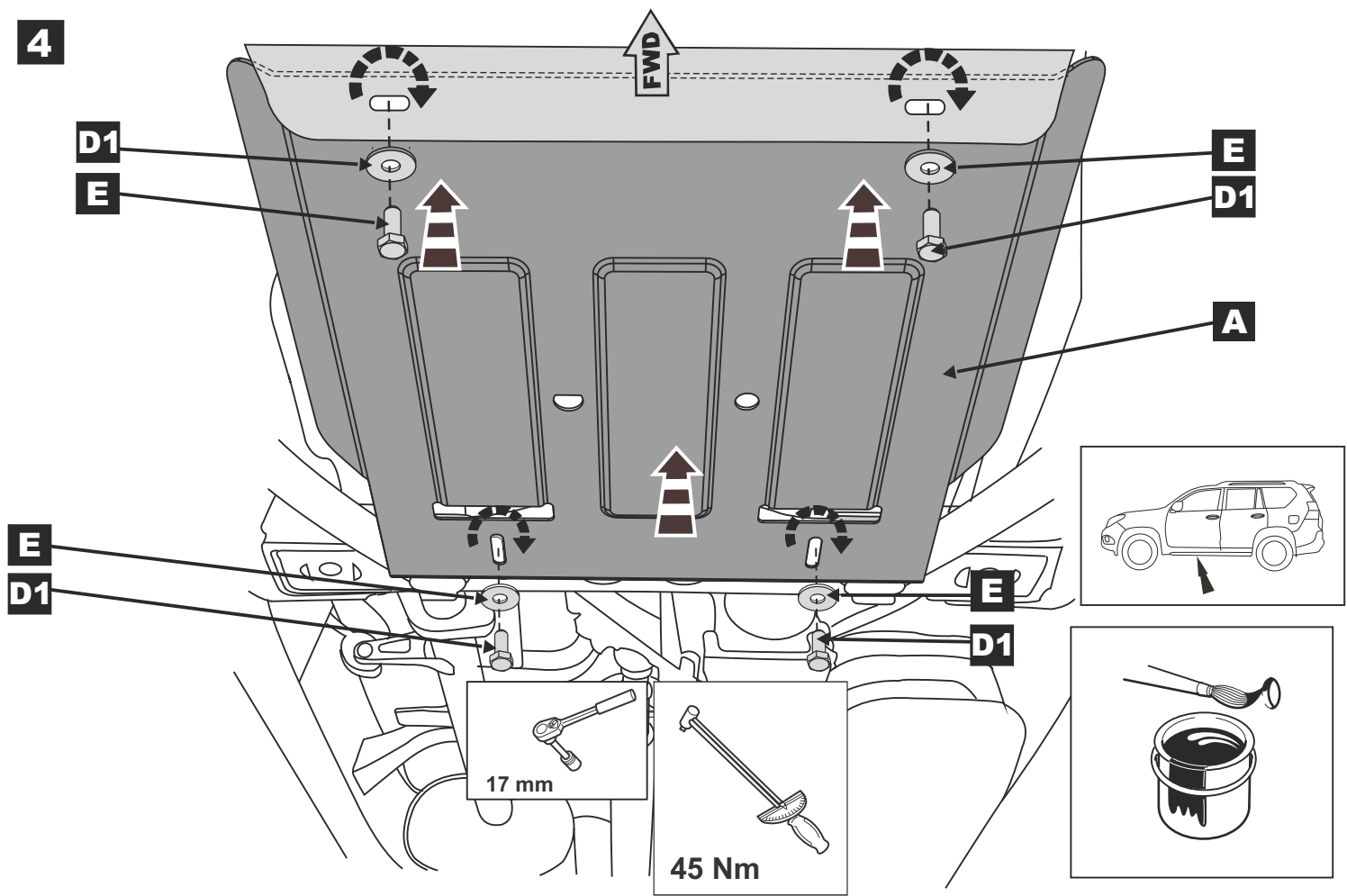
Toyota Land Cruiser 150 Petrol



3



4



5

